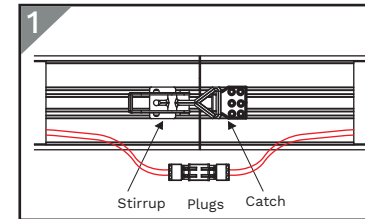
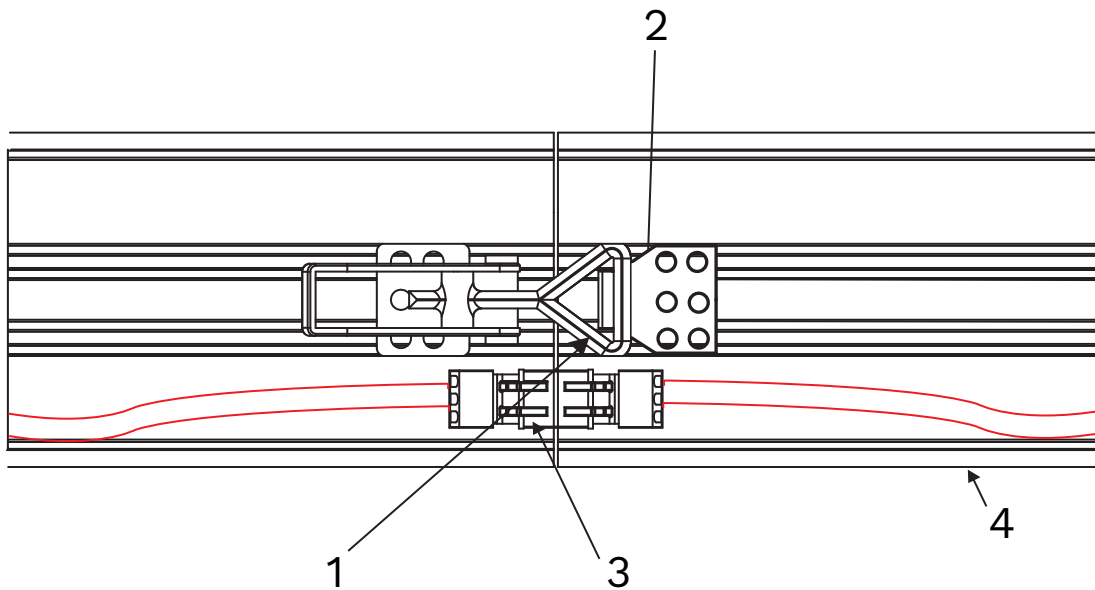
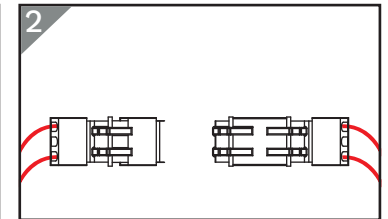


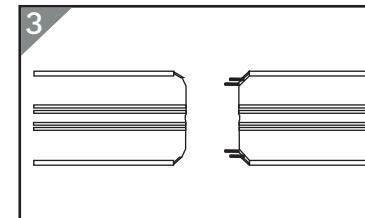
Item	Title
1	Stirrup
2	Catch
3	Plugs
4	Extrusion



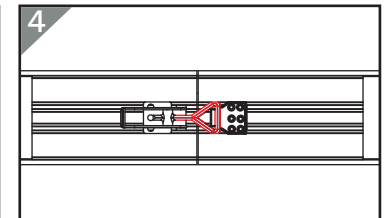
1 Identify the components of the Kwik Lock blind coupling system



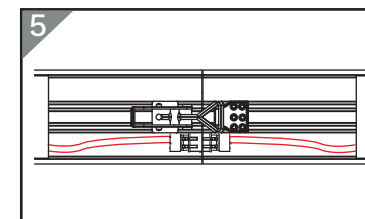
2 Identify polarised plugs (there maybe more depending on product)



3 Slide two pieces together - aligning the guide pins (if fitted)



4 Pull the stirrup lever upwards to clip to catch and tighten



5 Finally, connect all of the plugs then replace diffuser or cover

Note: Please remove all labelling and tapes as you proceed